

# **Spare Parts Catalog of**

Mr.Silence

# CONTENTS

---

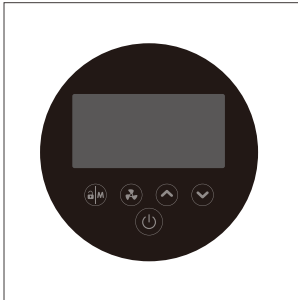
Spare Parts Picture .....	03-04
MS70/90/110/130/150/170/210/260.....	05-06
MS260S .....	07-08

# Spare Parts Picture

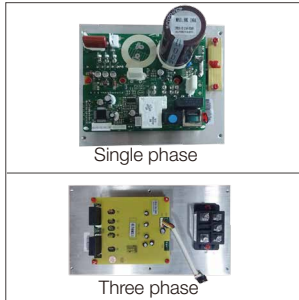
## Electrical Spare Parts



1 PC board (Heat)



2 Round touch controller



3 Inverter board



4 Contactor board



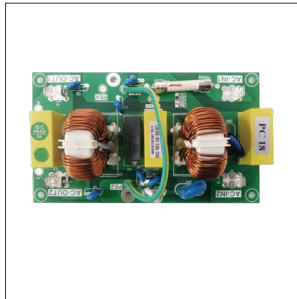
5 Reactor(big)



6 Reactor(small)



7 Water pump contactor



8 Power filter board



9 Capacitor board



10 Electronic expansion valve



11 4-way valve



12 Water flow switch



13 Fan motor



14 Sensors(full set)



15 Capacitor

## Refrigerate System Spare Parts



16 Compressor



17 Titanium heat exchanger(Heat)



18 Evaporator



19 Liquid accumulator



20 High pressure protection switch



21 Low pressure protection switch

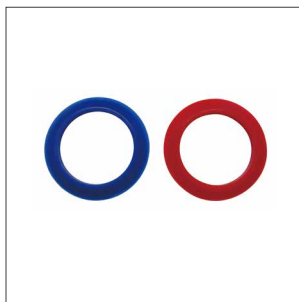


22 Low pressure valve

## Other Spare Parts



23 Water union



24 Water union gasket

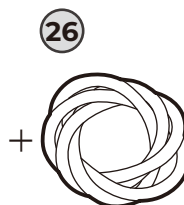
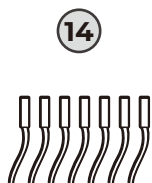
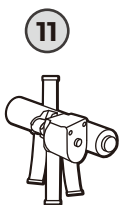
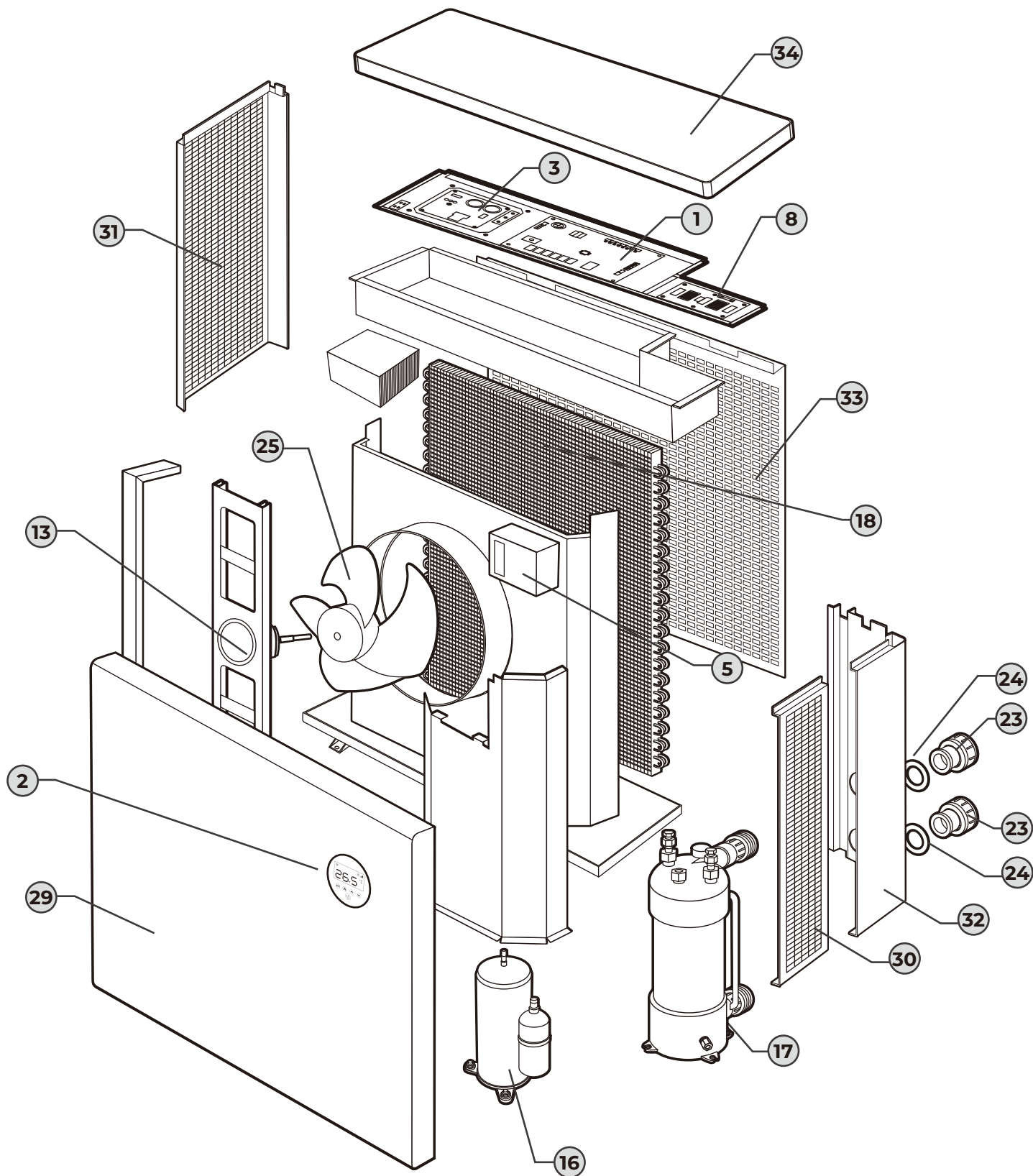


25 Fan blade



26 Drainage kit

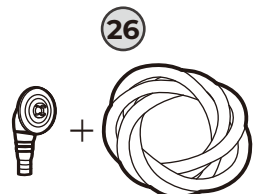
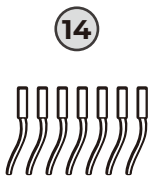
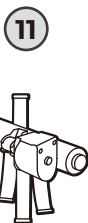
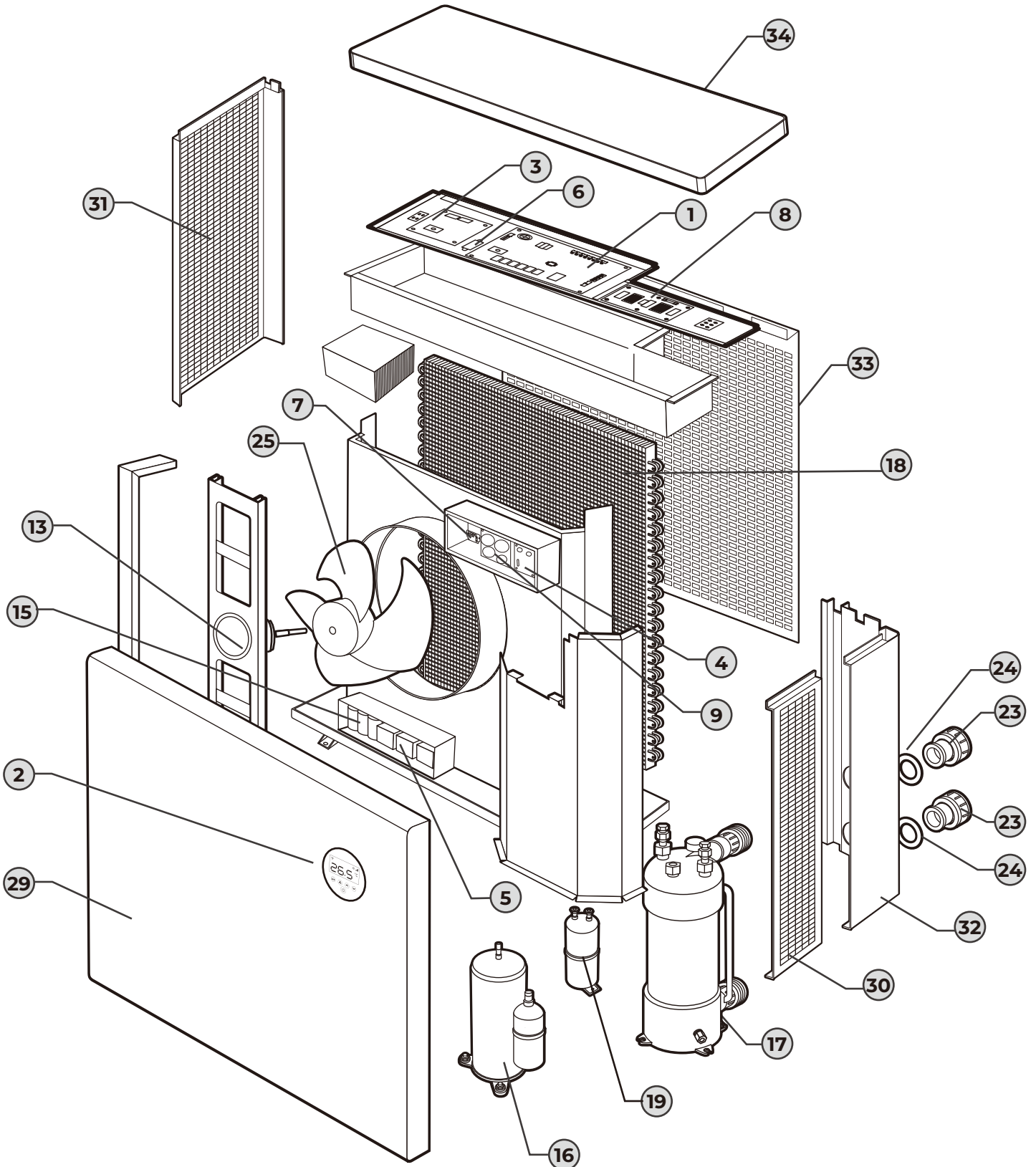
# MS70/90/110/130/150/170/210/260



# MS70/90/110/130/150/170/210/260

No.	Spare parts	Spart part code MS70	Spart part code MS90	Spart part code MS110	Spart part code MS130	Spart part code MS170	Spart part code MS210	Spart part code MS260
<b>Electrical Spare Parts</b>								
1	PC board (Heat) PC board (Heat&Cool)							
2	Round touch controller							
3	Inverter board							
4	Contactora board							
5	Reactor(big)							
6	Reactor(small)							
7	Water pump contactor							
8	Power filter board							
9	Capacitor board							
10	Electronic expansion valve							
11	4-way valve							
12	Water flow switch							
13	Fan motor							
14	Sensors(full set)							
15	Capacitor							
<b>Refrigerate System Spare Parts</b>								
16	Compressor							
17	Titanium heat exchanger(Heat) Titanium heat exchanger(Heat&Cool)							
18	Evaporator							
19	Liquid accumulator							
20	High pressure protection switch							
21	Low pressure protection switch							
22	Low pressure valve							
<b>Other Spare Parts</b>								
23	Water union(48.3mm) Water union(50mm)							
24	Water union gasket							
25	Fan blade							
26	Drainage kit							
27	10m cable							
28	External LED Control Kits							
29	Front panel							
30	Right side grille							
31	Left rear pole							
32	Back panel							
33	Back grille							
34	Top cover							

# MS260S



# MS260S

No.	Spare parts	Spart part code MS260S	
<b>Electrical Spare Parts</b>			
1	PC board (Heat) PC board (Heat&Cool)		
2	Round touch controller		
3	Inverter board		
4	Contactora board		
5	Reactor(big)		
6	Reactor(small)		
7	Water pump contactor		
8	Power filter board		
9	Capacitor board		
10	Electronic expansion valve		
11	4-way valve		
12	Water flow switch		
13	Fan motor		
14	Sensors(full set)		
15	Capacitor		
<b>Refrigerate System Spare Parts</b>			
16	Compressor		
17	Titanium heat exchanger(Heat) Titanium heat exchanger(Heat&Cool)		
18	Evaporator		
19	Liquid accumulator		
20	High pressure protection switch		
21	Low pressure protection switch		
22	Low pressure valve		
<b>Other Spare Parts</b>			
23	Water union(48.3mm) Water union(50mm)		
24	Water union gasket		
25	Fan blade		
26	Drainage kit		
27	10m cable		
28	External LED Control Kits		
29	Front panel		
30	Right side grille		
31	Left rear pole		
32	Back panel		
33	Back grille		
34	Top cover		