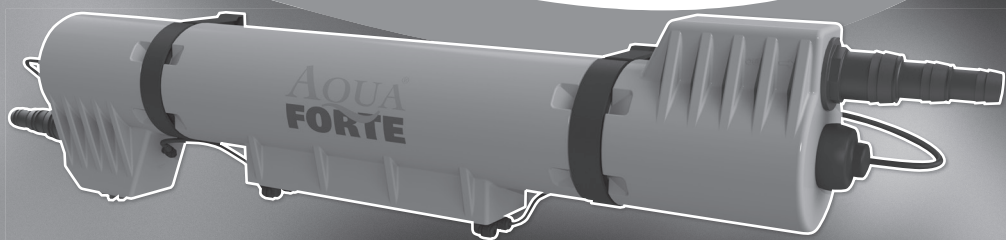


AQUA[®] FORTE

PROFESSIONAL WATER PRODUCTS

AquaForte Pure UV-C Quick Installation Guide



AQUAFORTE IS A TRADEMARK OF SIBO FLUIDRA NETHERLANDS B.V.
www.aqua-forte.com

This is a Quick Installation Guide. Full instructions can be found on the following website: www.aqua-forte.com.

SAFETY NOTE

This device produces harmful radiation. Direct contact can cause a hazard to eyes and skin. Only check the operation of the UV-C lamp through the transparent parts of the unit.

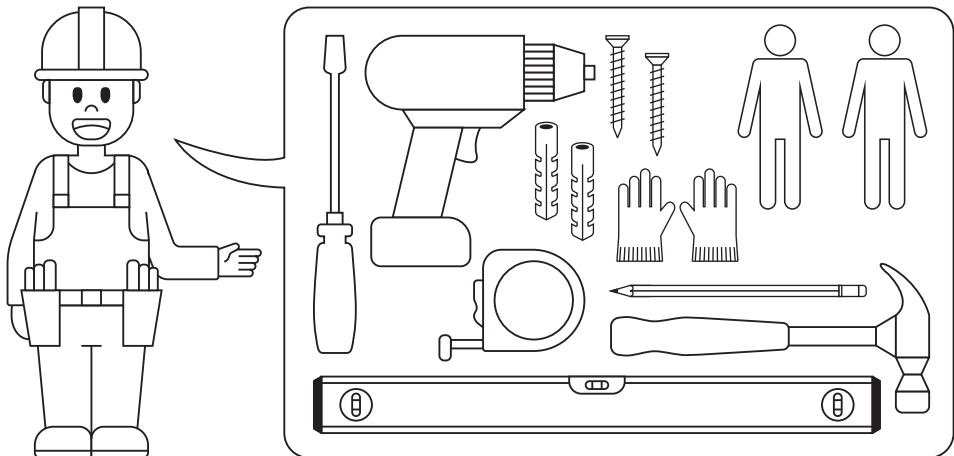
- Warning - Due to the risk of injury, this product is not suitable for use by children or persons (including children) with reduced physical, sensory or mental capabilities, or lack of experience or knowledge, unless they are supervised or instructed on the use of the device by a person responsible for their safety.
- Warning - Risk of electric shock. If in doubt as to whether you have sufficient knowledge and experience, this device must always be connected by a certified electrician, according to the locally applicable standards and laws, with a properly earthed connection protected by a residual-current device.
- Warning - To reduce the risk of electric shock, a damaged cable should be replaced immediately if possible.
- Warning - To reduce the risk of electric shock, the use of an extension lead is not recommended. Connect the device to an easily accessible mains outlet.
- Do not bury the connection lead. Never share connections and/or connection leads with lawn mowers, hedge trimmers or other equipment.
- Never install the unit at a location where it will be exposed to direct sunlight.
- Keep children away from this device and the electrical lead.
- During and after commissioning, the unit is operating and filled with water. Therefore, to reduce the risk of electric shock, be careful during repairs and/or service work. If you lack the necessary knowledge and experience, repair and/or service activities should be performed by authorized/accredited technicians.
- Never touch the appliance if it falls into the water! Disconnect the connection lead first, before removing the unit from the water. Because electrical components are damaged by water and therefore become unsafe, the device must be submitted to authorized/accredited technicians for repair/maintenance.
- The device must not be switched on if it has been damaged during or as a result of transport, a fall, a production defect or other cause (particularly the quartz glass sleeve and the UV-C bulb).
- Always connect the device to an undamaged, earthed mains outlet with hinged cover.
- Always remove the plug from the outlet when the device is not in use and/or during cleaning and maintenance activities. The plug must be removed from the mains outlet by pulling on the plug itself. Never pull on the lead to remove the plug from the outlet.
- The UV-C lamp must be switched off temporarily if chemicals and/or medications are (manually) added to the water. Chemicals added (manually), such as chlorine and acid, must be poured directly into the water in dissolved form.
- To reduce the risk of electric shock, the plug must not be inserted into or removed from the mains outlet with wet hands and/or while you are standing in the water.
- The device should never be immersed, in whole or in part, in water or any other liquid.
- The connection lead of the appliance may not be shortened and/or connected directly

without a plug. If the lead becomes damaged, the entire device must be submitted to authorized/accredited technicians. Devices with cut-off/shortened cables are excluded from warranty coverage.

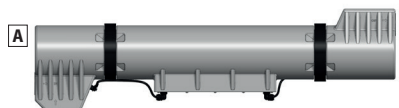
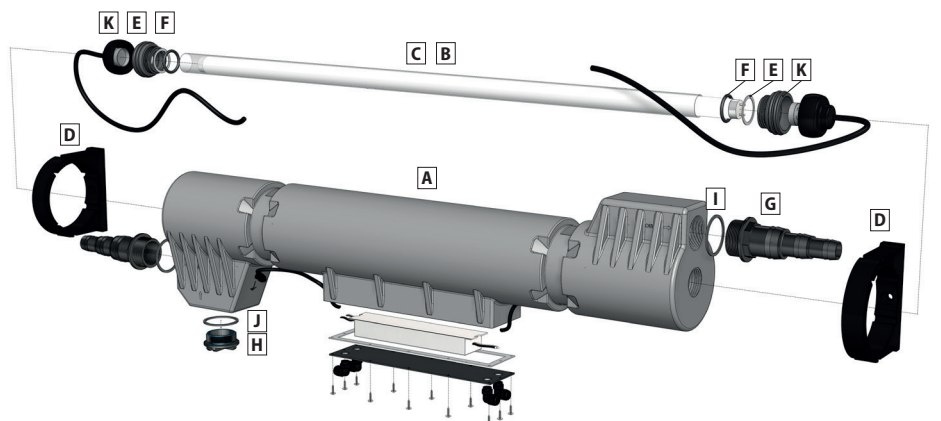
- After the device is switched off the bulb will remain warm for ten minutes.
- Use of the equipment for any purpose other than that for which it was designed or developed is not permitted. Use of the equipment for a purpose other than that for which it was developed by the manufacturer may lead to unsafe situations.
- If there is a seasonal risk of freezing of the device, or parts thereof, appropriate measures must be taken to prevent freezing damage. Damage caused by freezing is always excluded from warranty coverage.
- The unit should never be placed downstream of a heat exchanger or other heating source. If the bulb is not cooled by the water sufficiently, it may be damaged.
- This device may only be used in accordance with the guidelines described in this manual. You must also adhere to the instructions provided on the device.
- Unintended use of the device or damage to the housing can lead to the escape of harmful UV-C radiation. Exposure to UV-C radiation, even in small doses, cause damage to the eyes and skin.
- If you intend to use of the device in combination with chemicals and/or medications, always consult the manual(s) for this/these product(s). Pay particular attention to the safety instructions. When using medicines, the device must be disconnected.



WHAT DO YOU NEED FOR INSTALLATION?



MATERIAL OVERVIEW



1x



1x



1x



2x



2x
Nylon Ring
37.5x1



2x
O-ring
36x4



2x



1x



2x
O-ring NBR
45x3



1x
O-ring
45x2

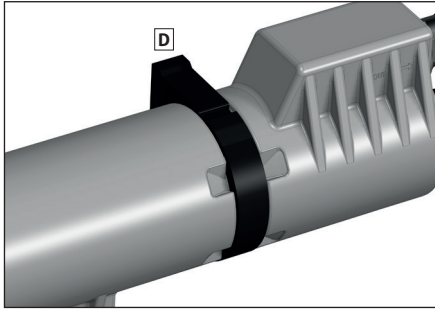


2x

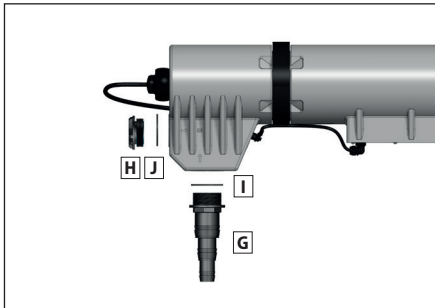
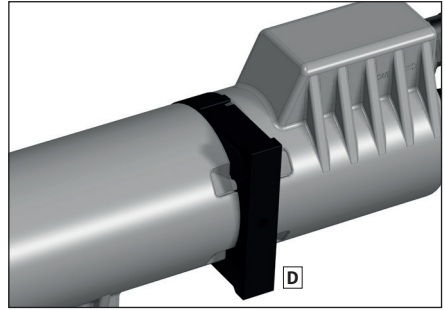
TECHNICAL SPECS AQUA FORTE PURE UV-C TL 30W & 55W

UV-C	UV-C (%) after 9.000 hours	Pond volume	Max. flow	Max. pressure	Connection diameter	Length of the device	Ambient temperature	Water temperature	IP class
30 Watt	80%	27.000 liter	13.000 l/h	0.7 bar	25/32/40mm	100cm	0-30C°	1-25C°	IP64
55 Watt	80%	45.000 liter	18.000 l/h	0.7 bar	25/32/40mm	100cm	0-30C°	1-25C°	IP64

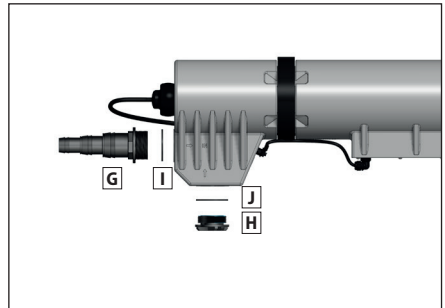
POSSIBLE INSTALLATION



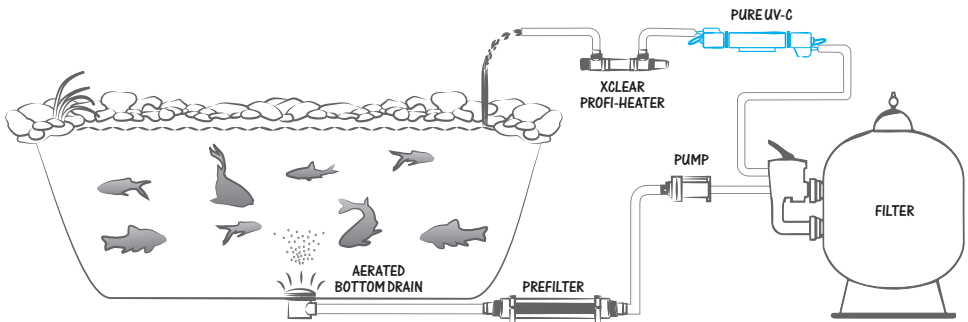
OR



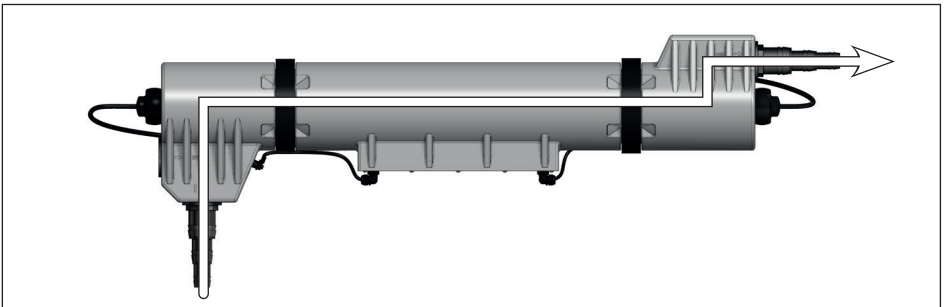
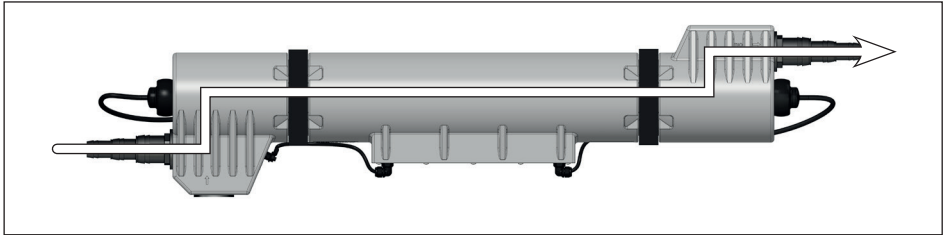
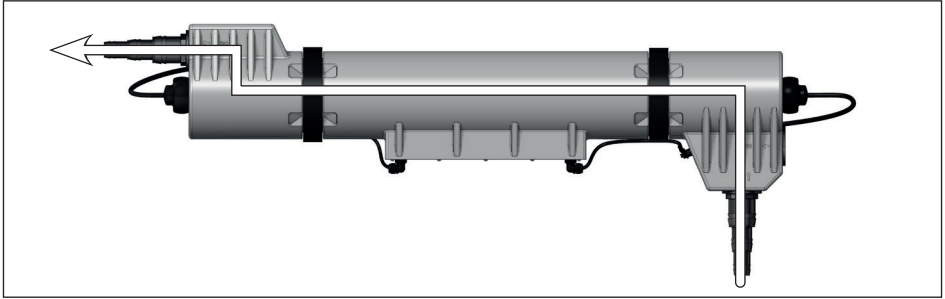
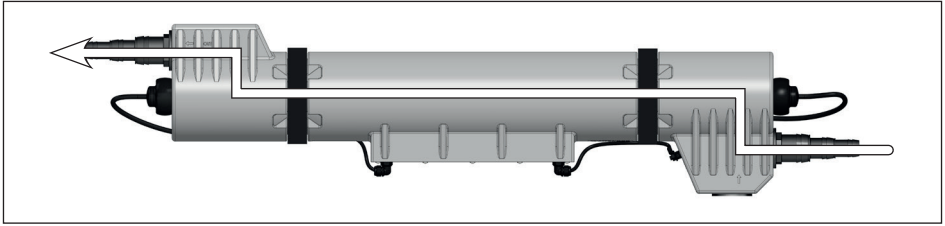
OR

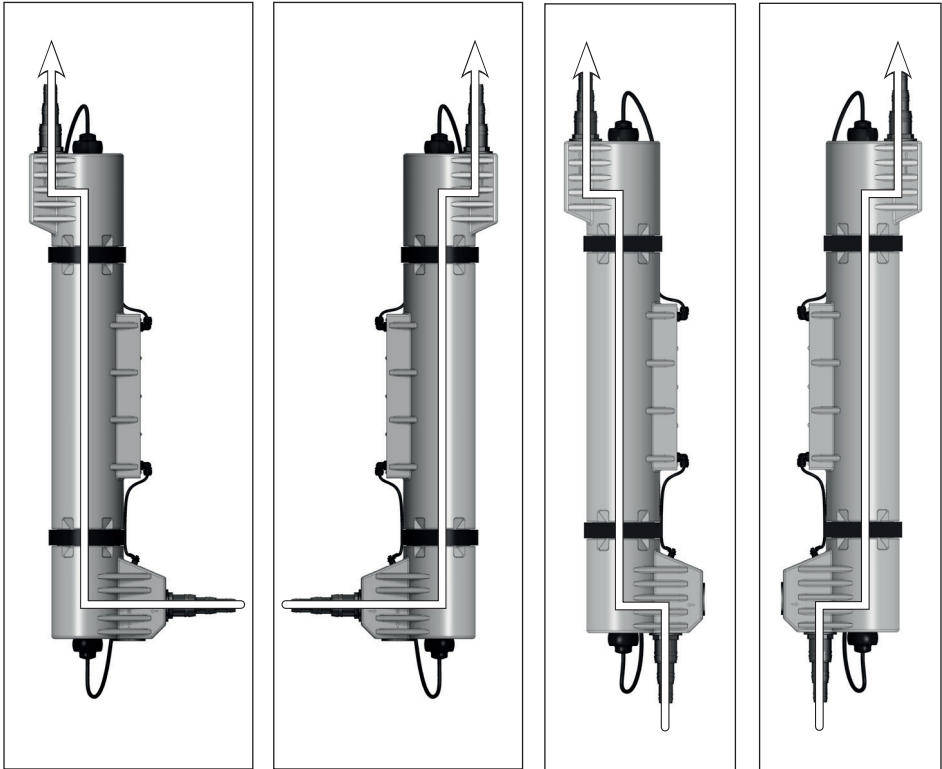


POSSIBLE INSTALLATION



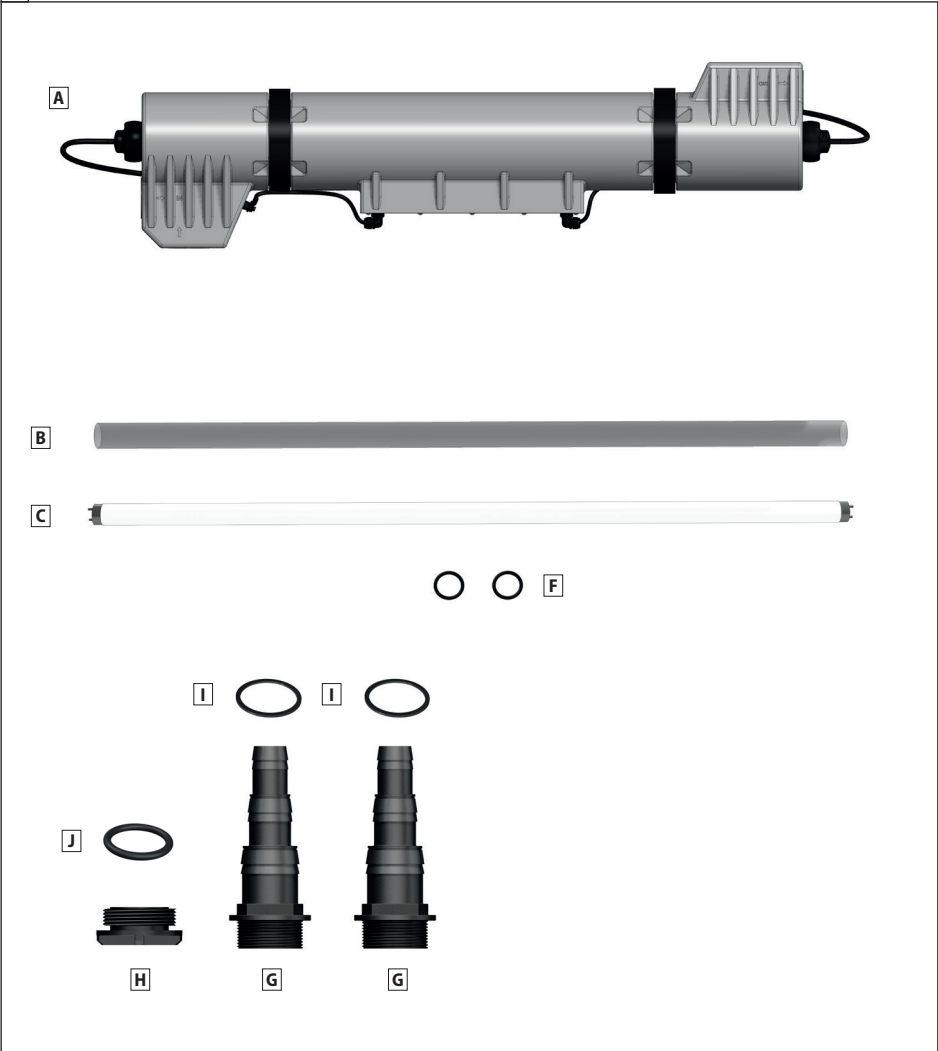
POSSIBLE FLOW DIRECTIONS



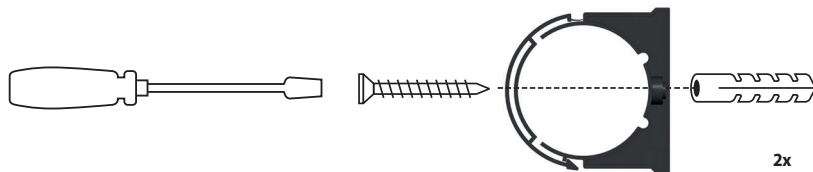
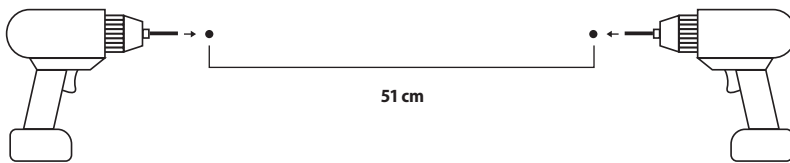
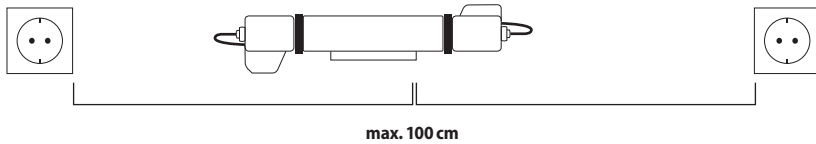
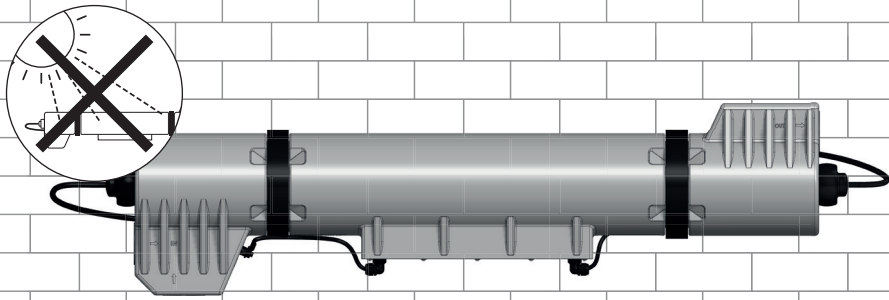


INSTRUCTIONS

1

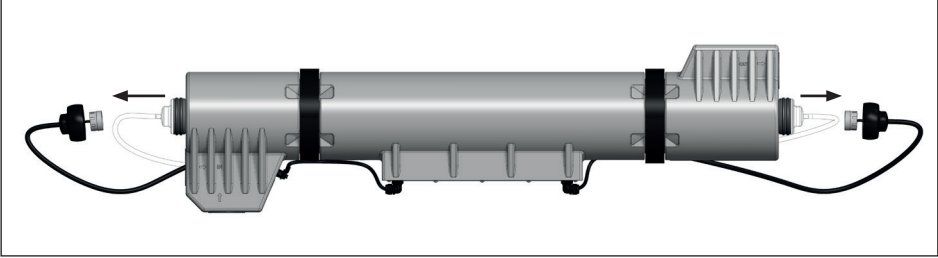


2

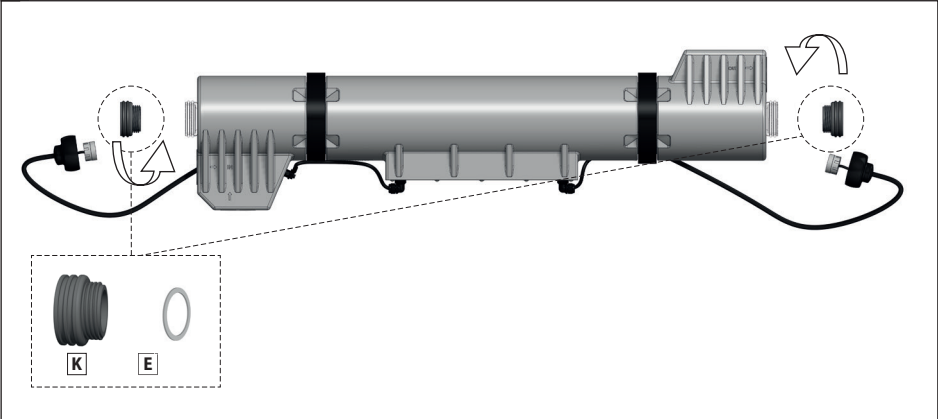


D

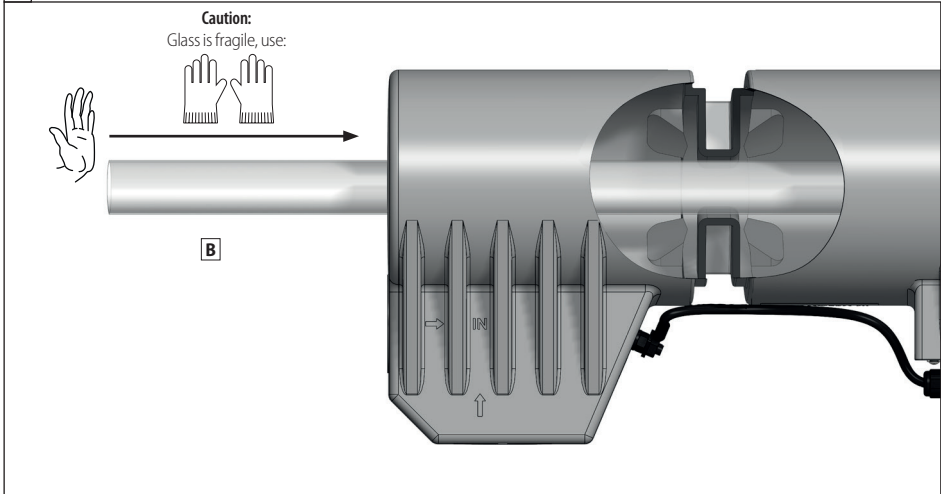
3



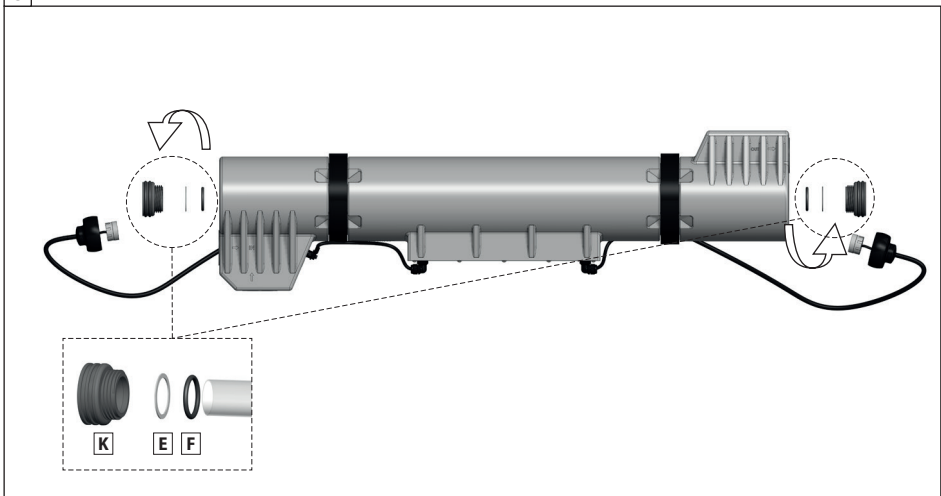
4



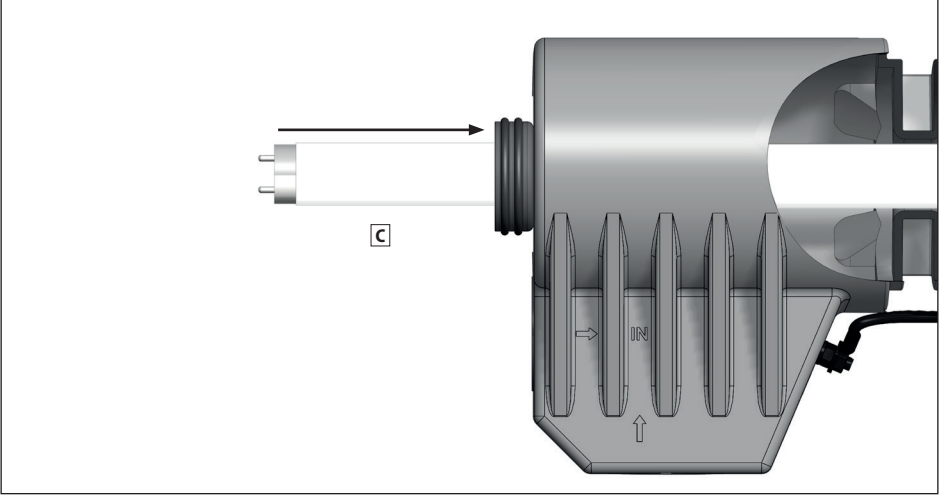
5



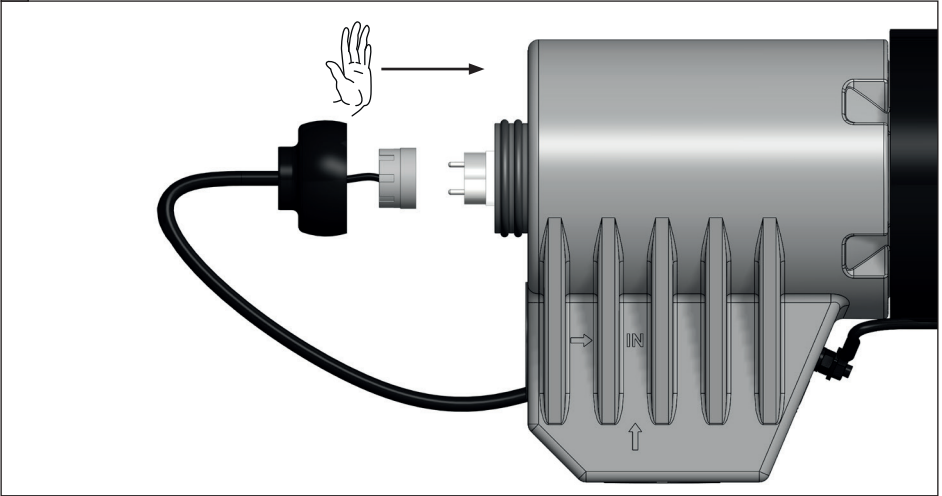
6



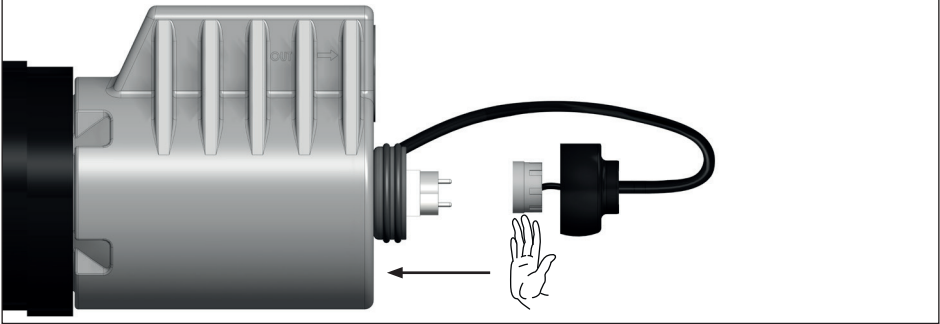
7



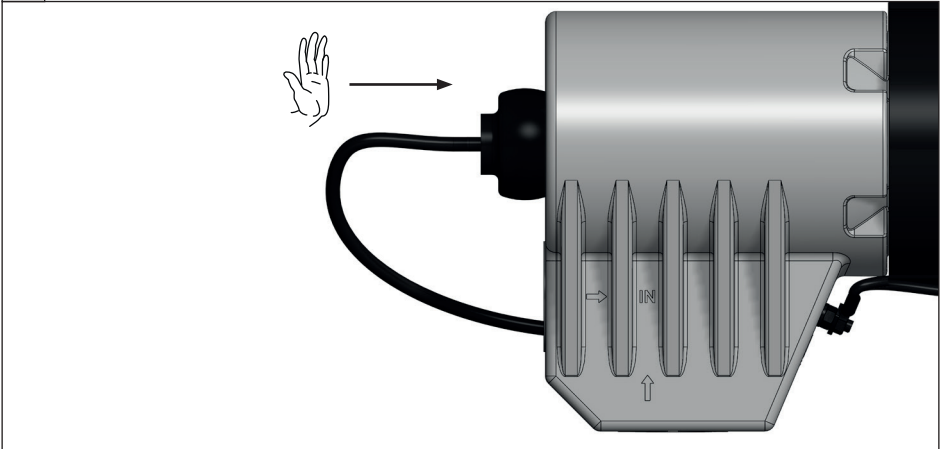
8



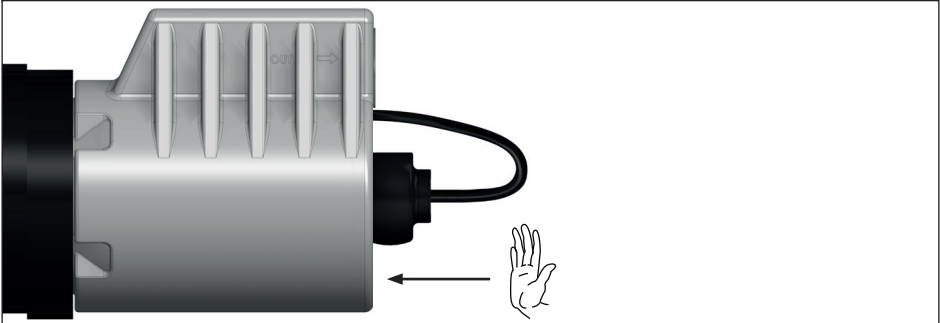
9



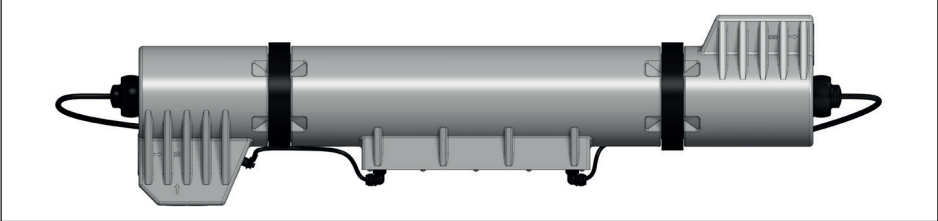
10



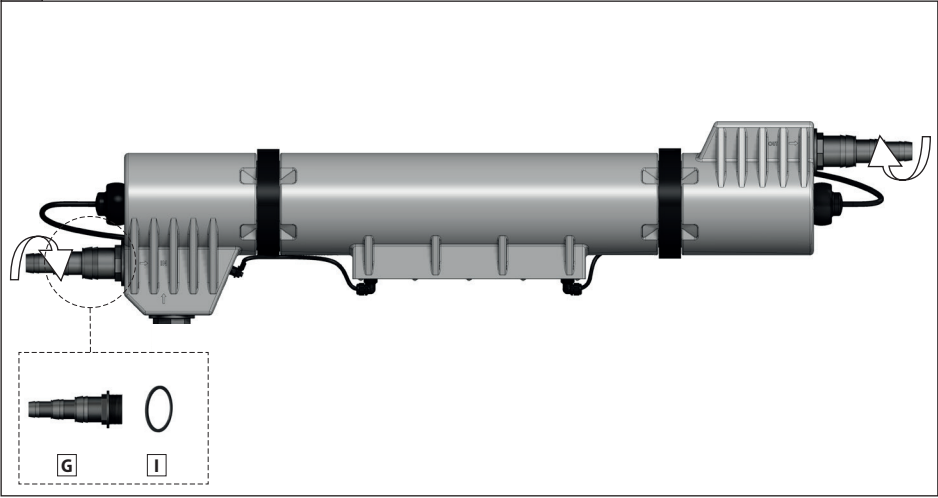
11



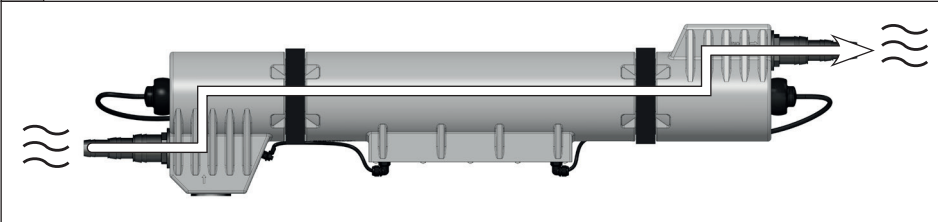
12



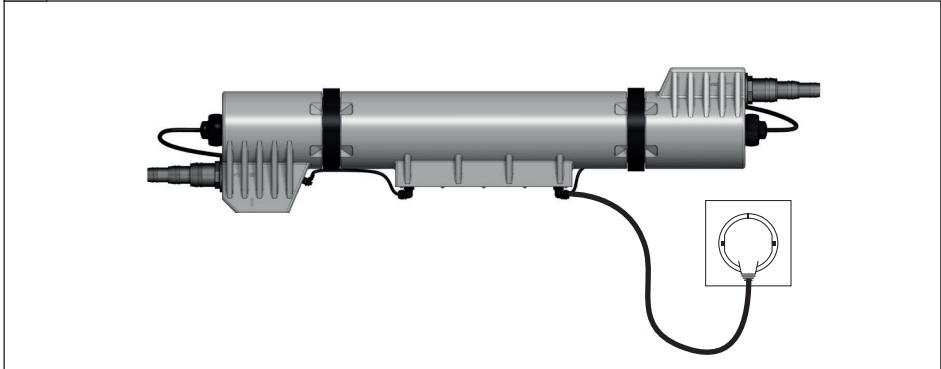
13



14



15



MAINTENANCE

Clean after maximum 4500 hours:

B



Replace at maximum 9000 hours:

C



WARRANTY CONDITIONS

The product is guaranteed against manufacturing defects for 24 months from the date of purchase. Warranty claims can only be processed if the product is returned postage paid, accompanied by a valid proof of purchase. Warranty repairs may only be carried out by the supplier. Warranty claims that are the result of incorrect installation or operation will not be honoured. Defects caused by poor maintenance will also not be covered under warranty. The supplier is in no way responsible for damage caused by misuse of the product. The supplier cannot be held liable for consequential damage due to failure of the device. Reclamations based on transport damage can only be accepted if the damage was found or confirmed by the carrier at the time of delivery. Only then can the carrier or postal service be held liable.



Made in the
Netherlands

B299153